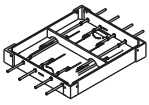


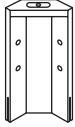


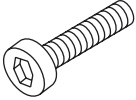

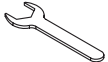

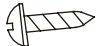
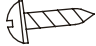




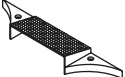









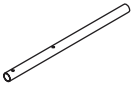
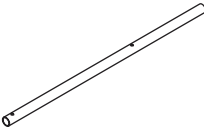
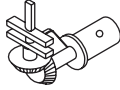
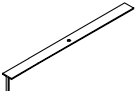
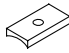
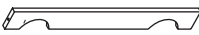
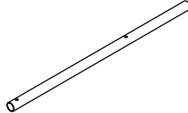


G52800 PARTS LIST




<p>1</p>  <p>x1</p>	<p>2</p>  <p>x2</p>	<p>3</p>  <p>x2</p>	<p>4</p>  <p>x4</p>
<p>Mainframe</p>	<p>Side PMMA</p>	<p>End PMMA</p>	<p>Leg</p>
<p>5</p>  <p>x1</p>	<p>6</p>  <p>x4</p>	<p>7</p>  <p>x16</p>	<p>8</p>  <p>x16</p>
<p>Allen Wrench</p>	<p>Corner</p>	<p>Leg Bolt</p>	<p>Leg Washer</p>
<p>9</p>  <p>x1</p>	<p>10</p>  <p>x4</p>	<p>11</p>  <p>x4</p>	<p>12</p>  <p>x8</p>
<p>Wrench</p>	<p>Leg Leveler</p>	<p>4 x 12mm Screw</p>	<p>3 x 12mm Screw (Sliver)</p>
<p>13</p>  <p>x2</p>	<p>14</p>  <p>x8</p>	<p>15</p>  <p>x8</p>	<p>16</p>  <p>x2</p>
<p>Round Puc</p>	<p>Rod Handle Grip</p>	<p>Rod Bushing</p>	<p>Puck Catcher</p>
<p>17</p>  <p>x2</p>	<p>18</p>  <p>x3</p>	<p>19</p>  <p>x1</p>	<p>20</p>  <p>x3</p>
<p>Goal</p>	<p>Red Long Stick Hockey Player</p>	<p>Red Short Stick Hockey Player</p>	<p>Red Goalie Hockey Player</p>
<p>21</p>  <p>x3</p>	<p>22</p>  <p>x1</p>	<p>23</p>  <p>x1</p>	<p>24</p>  <p>x4</p>
<p>Blue Long Stick Hockey Player</p>	<p>Blue Short Stick Hockey Player</p>	<p>Blue Goalie Hockey Player</p>	<p>M4 x 12 Bolt</p>
<p>25</p>  <p>x4</p>			
<p>N4 Nut</p>			

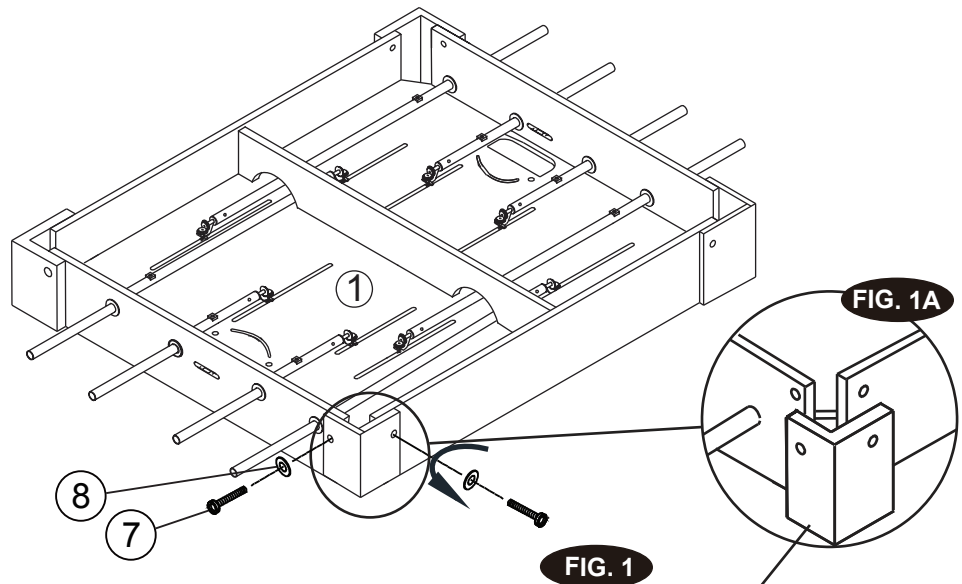
G52800 PRE-INSTALLED PARTS

<p>P1</p>  <p>x20</p>	<p>P2</p>  <p>x4</p>	<p>P3</p>  <p>x2</p>	<p>P4</p>  <p>x8</p>
<p>T - Nut</p>	<p>Short Rod</p>	<p>Long Rod</p>	<p>Gear</p>
<p>P5</p>  <p>x2</p>	<p>P6</p>  <p>x8</p>	<p>P7</p>  <p>x1</p>	<p>P8</p>  <p>x2</p>
<p>Goalie Control</p>	<p>Rod Stopper</p>	<p>Support</p>	<p>Middle Rod</p>

ASSEMBLY INSTRUCTIONS:

1. Find a clean, level place to begin the assembly of your rod hockey table. The table will be assembled upside down and then turned over on its legs once the assembly completed. This game table is heavy, and turning it over will require at least two strong adults.
2. Remove all the parts from the box and verify that you have all of the listed parts as shown on the parts list page. Carefully cut or tear the four corners of the box so that the bottom of the box can be used as your work surface.

<p>①</p>		<p>X 1</p>
<p>⑦</p>		<p>X 8</p>
<p>⑧</p>		<p>X 8</p>



Note: The wooden corners are to protect the mainframe (#1) from damaging, they will not be used again after removal.

FIG.1

3. Remove the wooden corners. **See FIG. 1A.**
Note: unscrewed bolts and washers will be used again. (keep them aside for assembly of the legs)

English






1		X 1
4		X 4
7		X 16
8		X 16
P1		X 20

FIG. 2

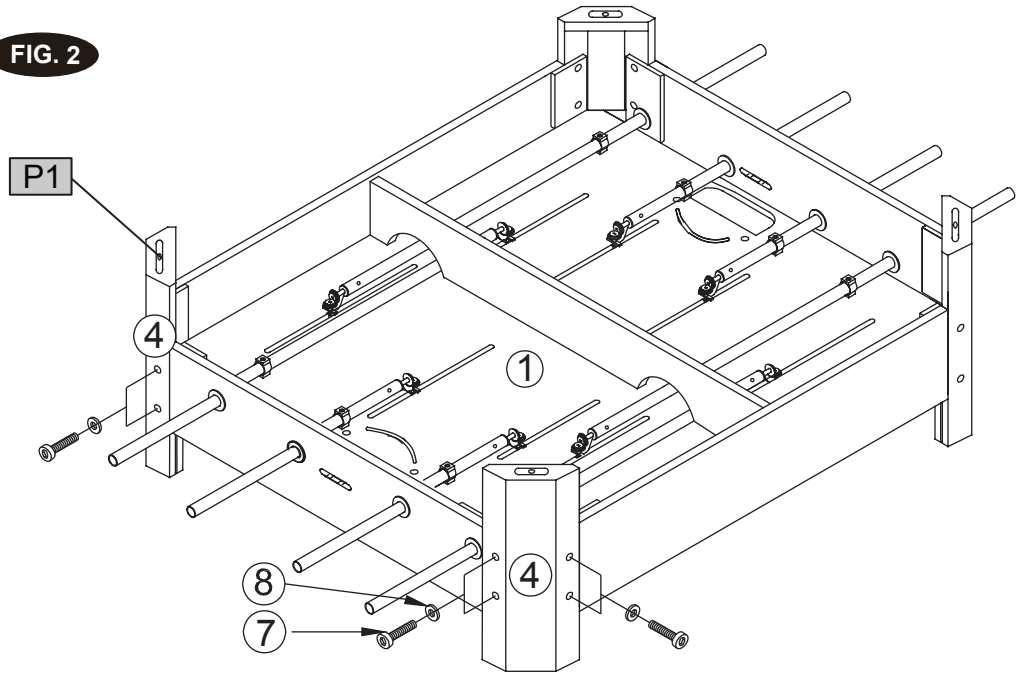


FIG.2

4. Attach the Left Legs (#4) to the Mainframe (#1) using four Bolts (#7) and four Washers (#8) per Leg. See FIG. 2.



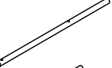




14		X 8
15		X 8
P2		X 2
P3		X 4
P4		X 8
P6		X 8
P8		X 2

FIG. 3

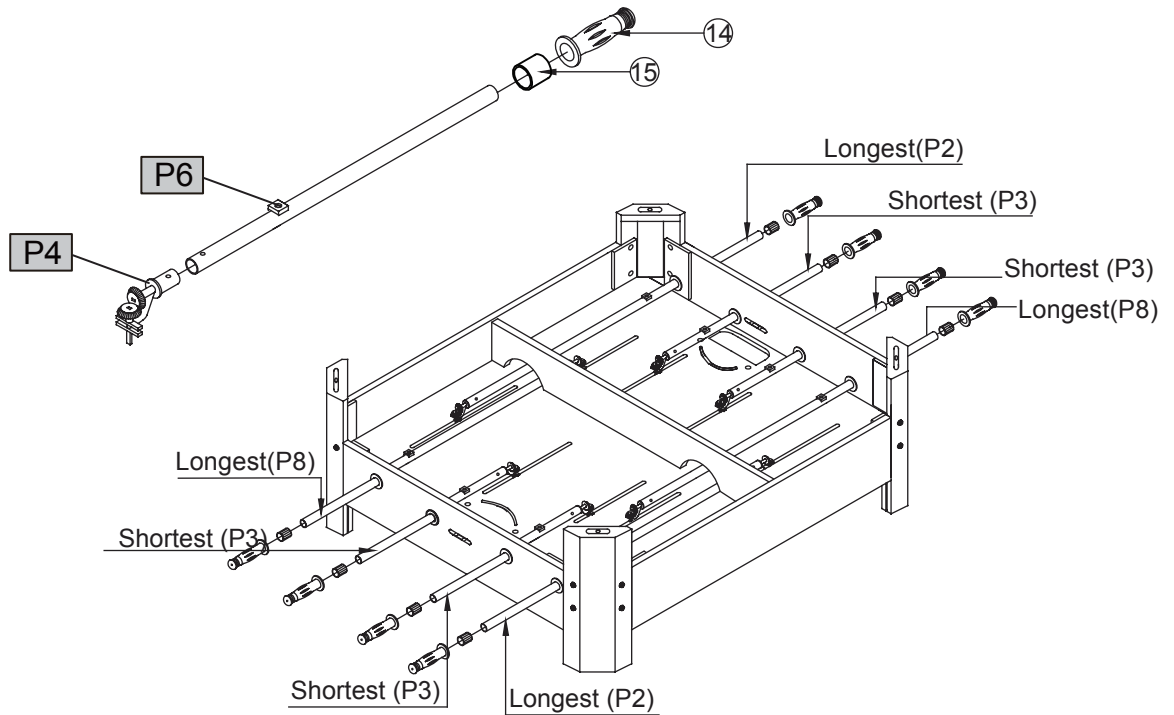


FIG.3

5. Place the handles (#14) and the foam bumper (#15) onto the ends of the rods (#P2,#P3,#P8) as shown in.

English

10		X 4
11		X 4
16		X 2
P5		X 2
P7		X 1

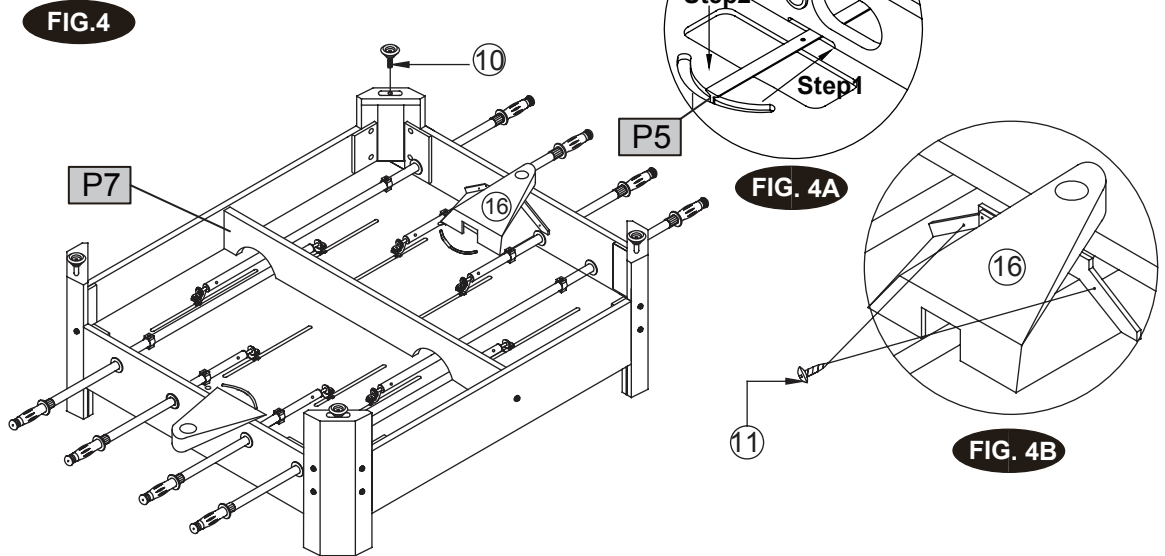


FIG. 4

6. Screw the Leg Levelers (#10) into the bottom of each leg.

7. Attach the Puck Catchers (#16) to the Mainframe (#1) using four Screws (#11) per Puck Catcher See FIG. 4B.

2		X 2
3		X 2
18		X 3
19		X 1
20		X 1
21		X 3
22		X 1
23		X 1

FIG. 5

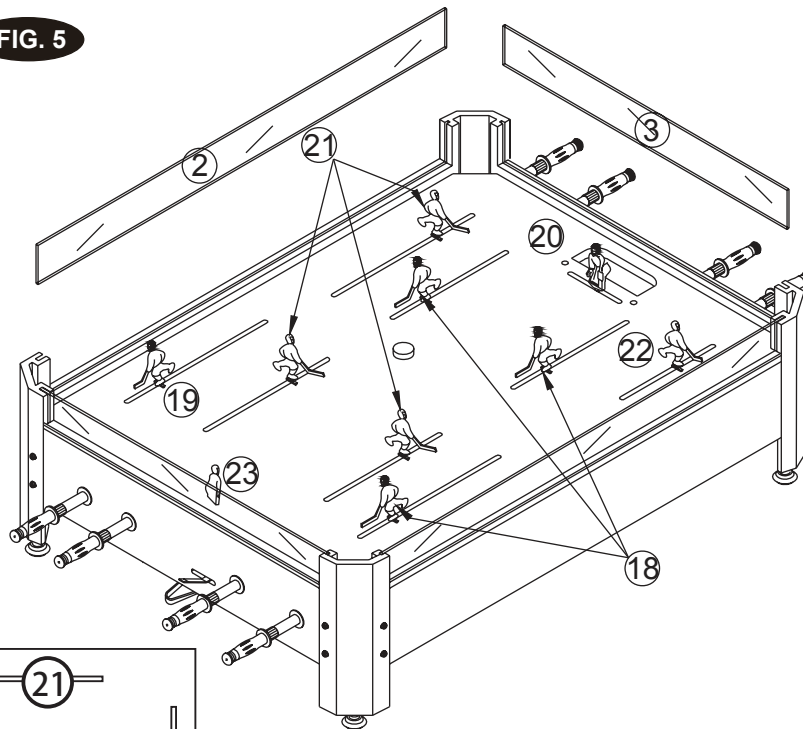


FIG. 5B

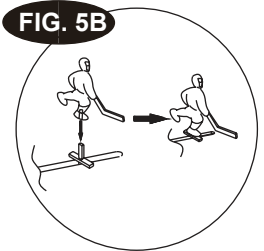
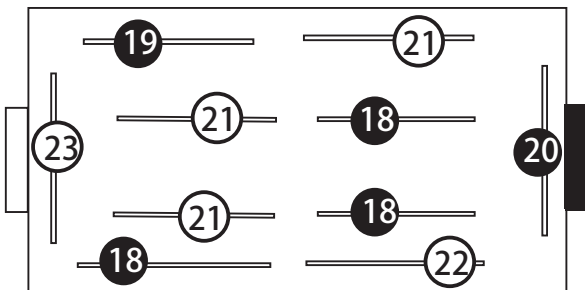


FIG. 5A

ORDER OF PLAYERS



○ = BLUE ● = RED

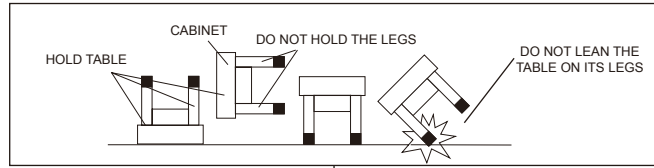
FIG. 5

8. Slide the Side PMMA (#2) into the slot pre-set on the Side Apron. See FIG. 5.

9. Slide the End PMMA (#3) into the slot pre-set on the End Apron. See FIG. 5.

10. Insert each Player (#18,#19,#21,#22) into each metal tap on the Gear (P8). See FIG. 5, 5A and 5B.

11. Insert each Goalie (#20, #23) into each Goalie Control (P5). See FIG. 5 and 5A.



CAUTION: Two strong adults are recommended to turn the table over as shown.
1. Lift the table off the ground. Turn the table over.
Place it on all four feet at the same time on the ground.

6		X 4
12		X 8
17		X 2
24		X 4
25		X 4

FIG. 6

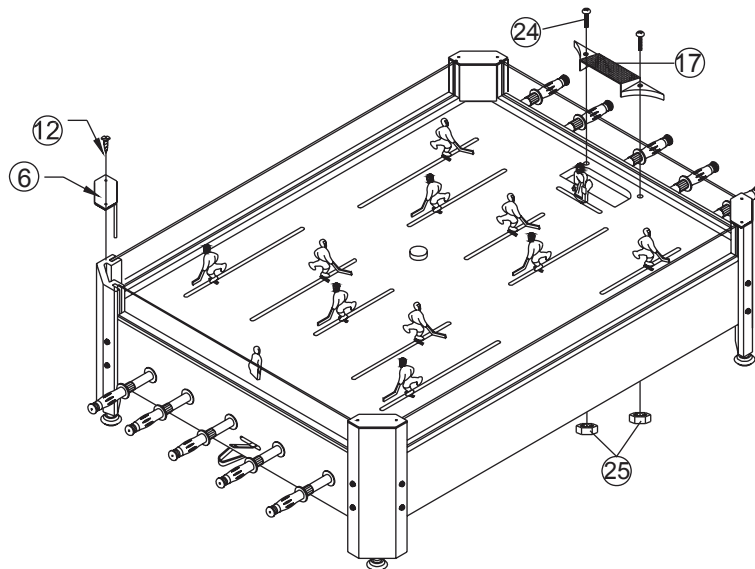


FIG.6

- 12. Attach the Goal Boxes (#17) to the playfield using Bolts (#24) and Nuts (#25) per Goal. **See FIG. 6.**
- 13. Attach the Apron Corners (#6) to the top of Leg using two Screws (#12) per Apron Corner. **See FIG. 6.**